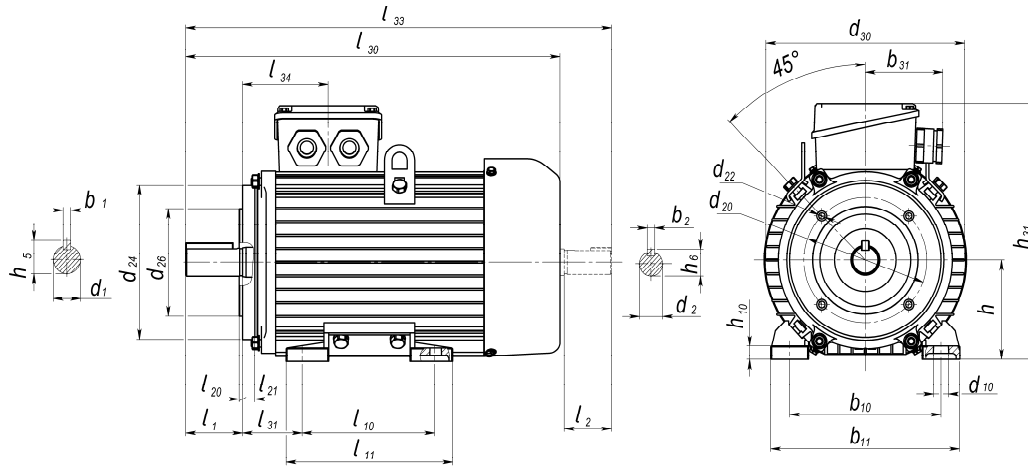


Габаритный чертеж IM 2101 / IM B34

Dimension drawing IM 2101 / IM B34



Привязка мощностей к установочно - присоединительным размерам по стандартам **DIN EN 50347**
 Power depends on mounting and overall dimensions according to **DIN EN 50347**

Размеры в мм.
 Dimensions in mm.

Тип Type	Число полюсов No. of poles	Обозначение фланца Flange number	ГОСТ DIN	l_{30} k	l_{33} k ₁	h_{31} p	d_{30} g	l_1 l	l_2 l ₁	l_{10} a	l_{11} e	l_{20} f ₁	l_{21} c ₁	l_{31} w ₁	l_{34} q	d_1 d	d_{10} s	d_{20} e ₁	d_{22} s ₁	d_{24} a ₁	d_{26} b ₁	b_1 u	b_{10} b	b_{11} f	h h	h_5 t	h_{10} s
RA71	2,4	FT85 FT115	C105 C140	236	267	188	150	30	30	90	112	2.5 3.0	7 8	45	72	14	7	85 115	M6 M8	105 140	70 95	5	112	138	71	16	7
RA80	A2,4,B4 (B2)	FT100 FT130	C120 C160	271 (291)	302 (322)	197	150	40	30	100	130	3.0 3.5	10 10	50	72	19	10	100 130	M6 M8	120 160	80 110	6	125	155	80	21.5	8
RA90S	2,4,6	FT115 FT130	C140 C160	300	342	217	175	50	40	100	130	3.0 3.5	16 10	56	82	24	10	115 130	M8 M8	140 160	95 110	8	140	174	90	27.0	10
RA90L	2,4,6	FT115 FT130	C140 C160	320	362	217	175	50	40	125	155	3.0 3.5	16 10	56	82	24	10	115 130	M8 M8	140 160	95 110	8	140	174	90	27.0	10
RA100L	2,A4,6	FT130 FT165	C160 C200	355	397	227	175	60	40	140	176	3.5 3.5	11 11	63	79	28	12	130 165	M8 M10	160 200	110 130	8	160	196	100	31.0	12
RA100L	B4	FT130 FT165	C160 C200	378	420	227	175	60	40	140	176	3.5 3.5	11 11	63	79	28	12	130 165	M8 M10	160 200	110 130	8	160	196	100	31.0	12
RA112M	2,4,6	FT130 FT165	C160 C200	420	473	277	218	60	50	140	178	3.5 3.5	15 15	70	91	28	12	130 165	M8 M10	160 200	110 130	8	190	230	112	31.0	12
RA132S	2,4,6	FT165	C200	505	570	310	255	80	60	140	184	3.5	15	89	91	38	12	165	M10	200	130	10	216	260	132	41.0	13
RA132M 2		FT165	C200	505	570	310	255	80	60	178	222	3.5	15	89	91	38	12	165	M10	200	130	10	216	260	132	41.0	13
RA132M 4,6		FT165	C200	545	610	310	255	80	60	178	222	3.5	15	89	91	38	12	165	M10	200	130	10	216	260	132	41.0	13

Привязка мощностей к установочно - присоединительным размерам по **ГОСТ Р 51689**
 Power depends on mounting and overall dimensions according to **GOST R 51689**

Размеры в мм.
 Dimensions in mm.

Тип Type	Число полюсов No. of poles	Обозначение фланца Flange number	ГОСТ DIN	l_{30} k	l_{33} k ₁	h_{31} p	d_{30} g	l_1 l	l_2 l ₁	l_{10} a	l_{11} e	l_{20} f ₁	l_{21} c ₁	l_{31} w ₁	l_{34} q	d_1 d	d_{10} s	d_{20} e ₁	d_{22} s ₁	d_{24} a ₁	d_{26} b ₁	b_1 u	b_{10} b	b_{11} f	h h	h_5 t	h_{10} s
A71	A2,A4,B4 (B2)	FT85 FT115	C105 C140	271 (291)	302 (322)	188	150	40	30	90	112	2.5 3.0	7 8	45	72	19	7	85 115	M6 M8	105 140	70 95	6	112	138	71	21.5	7
A80A	2,4,6	FT100 FT130	C120 C160	300	342	207	175	50	40	100	130	3.0 3.5	10 10	50	82	22	10	100 130	M6 M8	120 160	80 110	6	125	160	80	24.5	8
A80B	2,4,6	FT100 FT130	C120 C160	320	362	207	175	50	40	100	130	3.0 3.5	10 10	50	82	22	10	100 130	M6 M8	120 160	80 110	6	125	160	80	24.5	8
A90L	2,4,6	FT115 FT130	C140 C160	350	392	217	175	50	40	125	155	3.0 3.5	16 10	56	82	24	10	115 130	M8 M8	140 160	95 110	8	140	174	90	27.0	10
A100S	2,4	FT130 FT165	C160 C200	376	418	227	175	60	40	112	148	3.5 3.5	14 14	63	79	28	12	130 165	M8 M10	160 200	110 130	8	160	196	100	31.0	12
A100L	2,4,6	FT130 FT165	C160 C200	420	473	277	218	60	50	140	176	3.5 3.5	14 14	63	91	28	12	130 165	M8 M10	160 200	110 130	8	160	200	100	31.0	9
A112M	A6	FT130 FT165	C160 C200	440	493	297	218	80	50	140	209	3.5 3.5	15 15	70	91	32	12	130 165	M8 M10	160 200	110 130	10	190	230	112	35.0	12
A112M	2,4,B6	FT130 FT165	C160 C200	475	528	297	218	80	50	140	244	3.5 3.5	15 15	70	91	32	12	130 165	M8 M10	160 200	110 130	10	190	230	112	35.0	12
A132S	2,4,6	FT130 FT150	C160 C180	505	570	310	255	80	60	140	184	3.5 5.0	15 18	89	91	38	12	130 150	M8 M12	160 180	110 120	10	216	260	132	41.0	13
A132M 2		FT130 FT150	C160 C180	505	570	310	255	80	60	178	222	3.5 5.0	15 18	89	91	38	12	130 150	M8 M12	160 180	110 120	10	216	260	132	41.0	13
A132M 4,6		FT130 FT150	C160 C180	545	610	310	255	80	60	178	222	3.5 5.0	15 18	89	91	38	12	130 150	M8 M12	160 180	110 120	10	216	260	132	41.0	13